

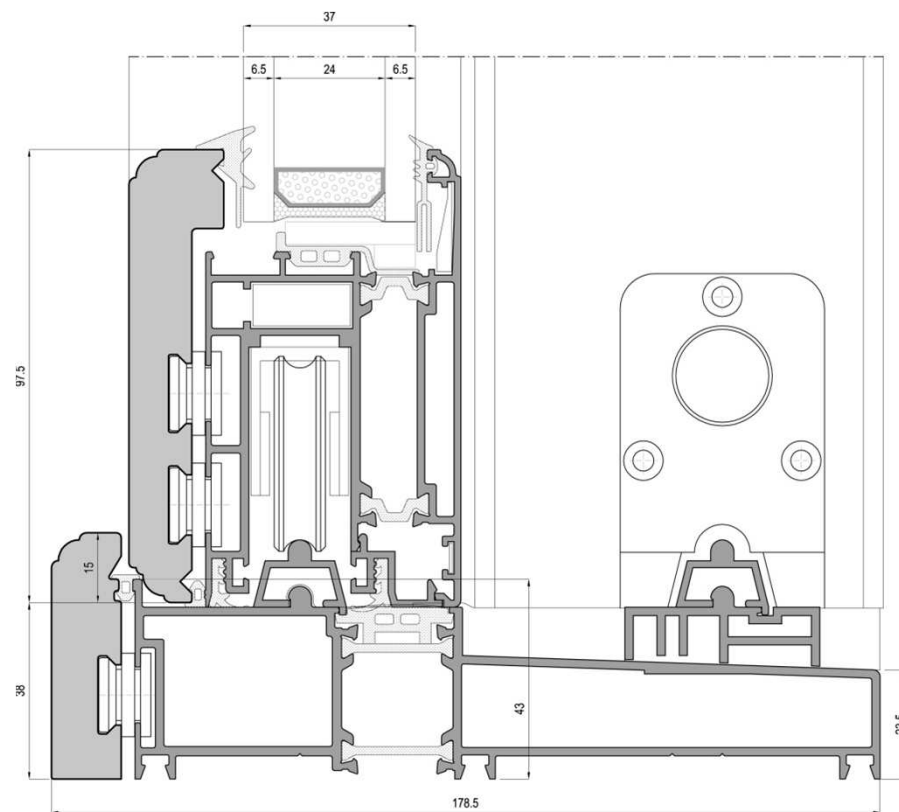
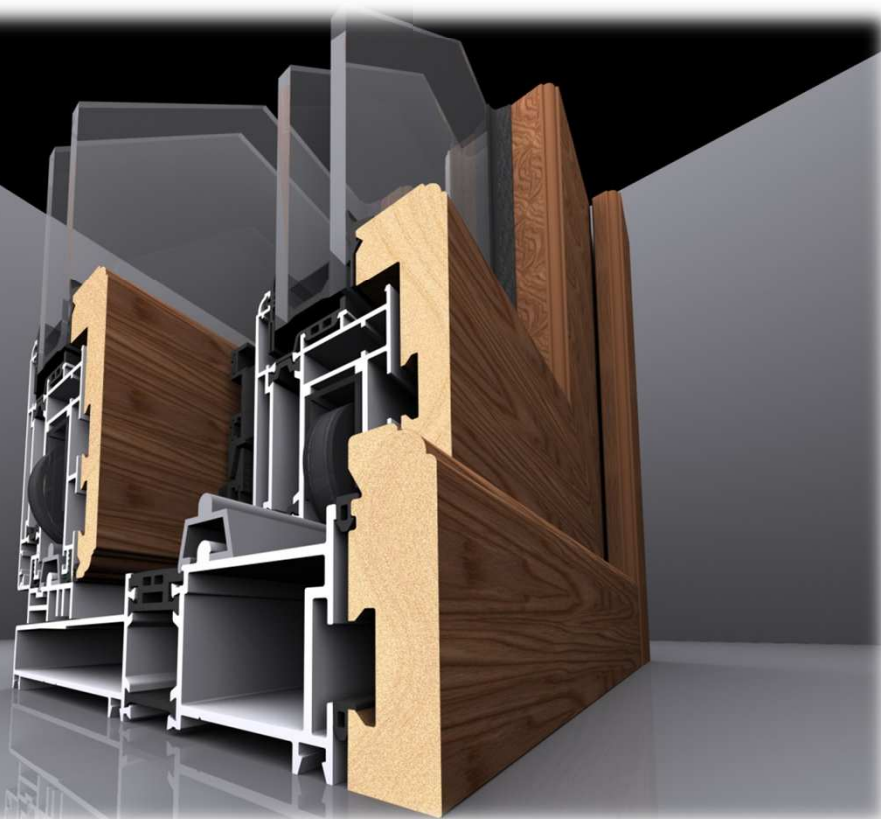


**EU170WTT**

Thermal break design solution, ideal for the enhancement of sliding doors to large size, weighing from 300 kg to 400 kg, with high reliability and with possibilities to realize fixed and movable glazing, suitable for the production of two or more lift-sliding doors, disappearing sliding.



<b>PROFILES</b>	- Fixed frame: 178,5 mm. - Door sections: 71,5 mm.								
<b>CONSTRUCTION FEATURES</b>	Windows to two or more sliding doors, balconies to two or more sliding doors, windows and balconies foldaway.								
<b>GLASS/ES AND CLADDING</b>	The profiles provide for the incorporation of low emissivity glass having a thickness of from 30 to 38 mm.								
<b>SLIDING CAPACITY</b>	From 240 kg to 400 kg								
<b>THERMAL TRANSMITTANCE</b>	Tests performed in the laboratory with equipment in hot box with the procedures described in the UNI EN ISO 12412-2 <b>Uf = 1.72 w/m²k</b>								
<b>TECHNICAL DATA</b>									
<b>PERMEABILITY TO AIR</b> <i>EN-1026</i>	I	2			3			4	
<b>WATER RESISTANCE</b> <i>EN-1027</i>	IA	2A	3A	4A	5A	6A	7A	8A	9A
<b>WIND RESISTANCE</b> <i>Pressure test EN-12211</i>	I	2		3		4		5	
<b>WIND RESISTANCE</b> <i>Deflection</i>	A		B			C			



Finestra - Nodo inferiore